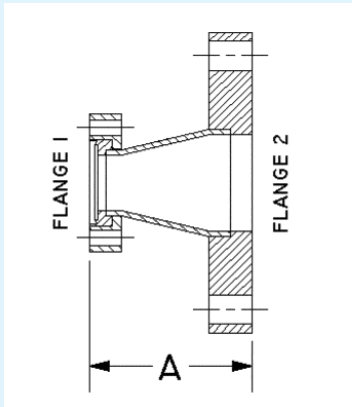


# HIGHVAC CF FLANGE ADAPTORS

CONFLAT  
FLANGES



## CF TO ASA CONICAL REDUCERS

PART NUMBER	FLANGE1		FLANGE2		A	PRICE	*
	TYPE	TUBE OD	TYPE	TUBE OD			
ASA100x133R-CR	133-075R	.75	ASA100	1.50	2.792	\$154	\$20
ASA150x212R-CR	212-100R	1.00	ASA150	2.00	2.792	\$169	\$20
ASA150x275R-CR	275-150R	1.50	ASA150	2.00	2.834	\$174	\$20
ASA150x338R-CR	338-200R	2.00	ASA150	2.50	4.084	\$194	\$20
ASA150x450R-CR	450-250R	2.50	ASA150	2.00	3.000	\$224	\$20
ASA150x462R-CR	462-300R	3.00	ASA150	2.00	4.156	\$224	\$20
ASA150x600R-CR	600-400R	4.00	ASA150	2.00	4.313	\$234	\$20
ASA200x275R-CR	275-150R	1.50	ASA200	3.00	4.084	\$179	\$25
ASA200x338R-CR	338-200R	2.00	ASA200	3.00	4.100	\$204	\$25
ASA200x450R-CR	450-250R	2.50	ASA200	3.00	4.250	\$219	\$25
ASA200x600R-CR	600-400R	4.00	ASA200	3.00	4.313	\$244	\$25
ASA300x338R-CR	338-200R	2.00	ASA300	4.00	4.100	\$234	\$25
ASA300x450R-CR	450-250R	2.50	ASA300	4.00	4.250	\$249	\$25
ASA300x462R-CR	462-300R	3.00	ASA300	4.00	4.156	\$254	\$25

\* Additional charge for O-Ring groove.