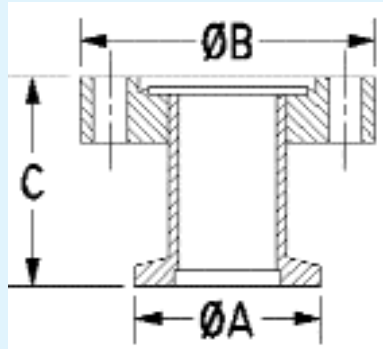


HIGHVAC CF FLANGE ADAPTORS

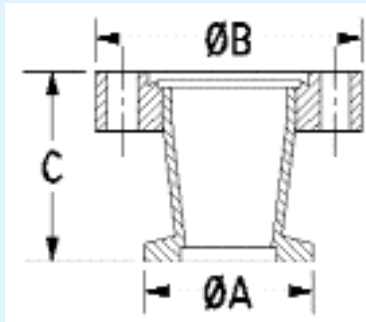
CF TO NW FLANGE ADAPTOR



PART NUMBER	TUBE O.D.	FLANGE			PRICE
		A	B	C	
NW10x133CF	.50	1.18	1.33	1.75	\$54.75
NW16x133CF	.75	1.18	1.33	1.75	\$54.75
NW16x275CF	.75	1.18	2.75	1.78	\$63.75
NW25x212CF	1.00	1.57	2.12	1.75	\$60.75
NW25x275CF	1.00	1.57	2.75	1.78	\$65.75
NW40x275CF	1.50	2.16	2.75	1.78	\$71.75
NW40x338CF	1.50	2.16	3.38	1.80	\$104.75
NW50x133CF	.75	2.95	1.33	1.95	\$68.75
NW50x275CF	1.50	2.95	2.75	1.95	\$76.75
NW50x338CF	2.00	2.95	3.38	1.80	\$98.75
NW50x450CF	2.00	2.95	4.50	1.95	\$119.75

CONFLAT FLANGES

CF TO NW CONICAL REDUCERS



PART NUMBER	FLANGE 1		FLANGE 2		A	PRICE
	TYPE	TUBE OD	TYPE	TUBE OD		
CF133xNW25-CR	1.33	.75	NW25	1.00	2.025	\$65.75
CF133xNW40-CR	1.33	.75	NW40	1.50	3.025	\$68.75
CF212xNW16-CR	2.12	1.00	NW16	.75	1.692	\$71.75
CF212xNW40-CR	2.12	1.00	NW40	1.50	2.692	\$75.75
CF212xNW50-CR	2.12	1.00	NW50	2.00	2.692	\$77.75
CF275xNW16-CR	2.75	1.50	NW16	.75	2.734	\$77.75
CF275xNW25-CR	2.75	1.50	NW25	1.00	2.734	\$81.75
CF275xNW50-CR	2.75	1.50	NW50	2.00	2.734	\$83.75
CF338xNW25-CR	3.38	2.00	NW25	1.00	2.750	\$104.75
CF338xNW40-CR	3.38	2.00	NW40	1.50	2.750	\$109.75
CF450xNW40-CR	4.50	2.50	NW40	1.50	2.900	\$139.75
CF450xNW50-CR	4.50	2.50	NW50	2.00	2.900	\$144.75
CF462xNW40-CR	4.62	3.00	NW40	1.50	4.056	\$144.75
CF462xNW50-CR	4.62	3.00	NW50	2.00	4.056	\$149.75
CF600xNW50-CR	6.00	4.00	NW50	2.00	4.213	\$169.75



HIGHVAC, Co.

7191 SE 182nd Place, Inglis, Florida 34449

Phone : (352) 447-7033 Fax : (352) 447-1222

Shop online: WWW.HIGHVAC.NET

