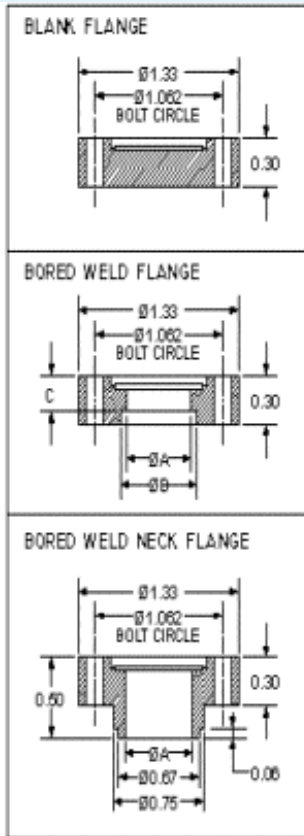


HIGHVAC CF FLANGES AND HARDWARE

MINI - CF FLANGES - 1.33" O.D. NON-ROTATABLE



CONFLAT
FLANGES

PART NUMBER	A	B	C	BOLT HOLES NO.	DIA	UNIT PRICE
THROUGH HOLES						
CF133-00	-	-	-	6	0.172	\$15.75
CF133-00-WN	-	-	-	6	0.172	\$15.75
CF133-00-WNB	-	-	-	6	0.172	\$15.75
CF133-25	0.255	-	-	6	0.172	\$15.75
CF133-38	0.380	-	-	6	0.172	\$15.75
CF133-50	0.505	-	-	6	0.172	\$15.75
CF133-75	0.630	0.755	0.175	6	0.172	\$15.75
CF133-75-WN	0.630	-	-	6	0.172	\$15.75
CF133-75-WNB	0.630	-	-	6	0.172	\$15.75

PART NUMBER	A	B	C	BOLT HOLES NO.	THREAD	UNIT PRICE
TAPPED HOLES						
CF133-00-T	-	-	-	6	8-32	\$20.75
CF133-00-WN-T	-	-	-	6	8-32	\$20.75
CF133-00-WNB-T	-	-	-	6	8-32	\$20.75
CF133-25-T	0.255	-	-	6	8-32	\$20.75
CF133-38-T	0.380	-	-	6	8-32	\$20.75
CF133-50-T	0.505	-	-	6	8-32	\$20.75
CF133-75-T	0.630	0.755	0.175	6	8-32	\$20.75
CF133-75-WN-T	0.630	-	-	6	8-32	\$20.75
CF133-75-WNB-T	0.630	-	-	6	8-32	\$20.75

Mini-CF flanges are designed for an internal socket weld using standard INCH tubing

“WN” Suffix = Weld neck

“WNB” Suffix = Weld neck without .060 weld prep

MINI-CF FLANGE HARDWARE

CF133-C-G	(10) Copper Gaskets	\$15.75
CF133-V-G	(5) Viton gaskets	\$13.75
CF133-BNK	(6) Bolt & nut kit, 8-32 x $\frac{3}{4}$ "	\$7.00
CF133-BWK	(6) Bolt & washer kit, 8-32 x $\frac{1}{2}$ "	\$7.00
CF133-PNBK	(3) Plate nuts, (6) bolts, 8-32 x $\frac{3}{4}$ "	\$13.75
CF133-P-N	(3) Plate nuts, 8-32	\$12.25