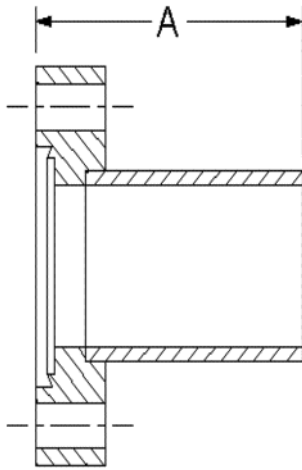


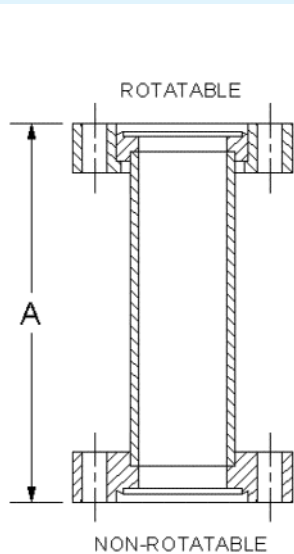
HIGHVAC CF FLANGE FITTINGS

CF FLANGE HALF NIPPLES



PART NUMBER	FLANGE TYPE	TUBE O.D.	A	PRICE
CF133-075-ISO	1.33	0.75	1.50	\$30.75
CF212-100-ISO	2.12	1.00	2.05	\$39.75
CF275-150-ISO	2.75	1.50	2.46	\$41.75
CF338-200-ISO	3.38	2.00	3.21	\$80.75
CF450-250-ISO	4.50	2.50	3.38	\$119.75
CF450-250-ISO-L	4.50	2.50	4.12	\$131.75
CF462-300-ISO	4.62	3.00	3.53	\$149.75
CF600-400-ISO	6.00	4.00	4.32	\$159.75
CF600-400-ISO-L	6.00	4.00	5.31	\$165.75
CF675-500-ISO	6.75	5.00	4.32	\$174.75
CF800-600-ISO	8.00	6.00	5.50	\$299.75
CF800-600-ISO-L	8.00	6.00	6.56	\$329.75
CF1000-800-ISO	10.00	8.00	8.00	\$414.75
CF1325-1000-ISO	13.25	10.00	10.00	\$579.75
CF1400-1200-ISO	14.00	12.00	10.00	\$744.75

CF FLANGE NIPPLES



PART NUMBER	FLANGE TYPE	TUBE O.D.	A	PRICE
CF133-075-N	1.33	0.75	3.00	\$59.75
CF212-100-N	2.12	1.00	4.10	\$66.75
CF275-150-N	2.75	1.50	4.93	\$71.75
CF338-200-N	3.38	2.00	6.43	\$149.75
CF450-250-N	4.50	2.50	6.76	\$214.75
CF450-250-N-L	4.50	2.50	8.25	\$224.75
CF462-300-N	4.62	3.00	7.06	\$249.75
CF600-400-N	6.00	4.00	8.64	\$279.75
CF600-400-N-L	6.00	4.00	10.62	\$299.75
CF675-500-N	6.75	5.00	8.46	\$434.75
CF675-500-N-L	6.75	5.00	9.87	\$439.75
CF800-600-N	8.00	6.00	11.00	\$504.75
CF800-600-N-L	8.00	6.00	13.12	\$529.75
CF1000-800-N	10.00	8.00	16.00	\$849.75
CF1325-1000-N	13.25	10.00	20.00	\$1,279.75
CF1400-1200-N	14.00	12.00	20.00	\$1,649.75