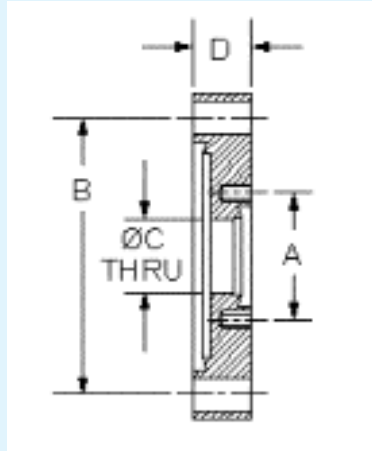


HIGHVAC CF FLANGES AND HARDWARE

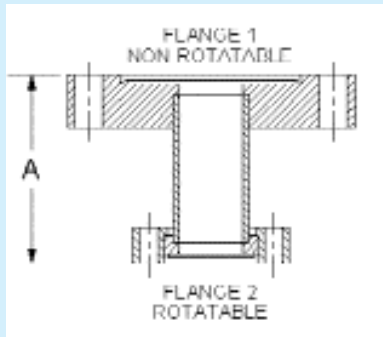
CF FLANGE - ZERO LENGTH REDUCERS, CONTINUED



PART NUMBER	A	B	C	D	PRICE
CF1000x133-075-0-T1 133-000-T	1000-000	0.620	0.970	\$299.75	
CF1000x212-100-0-T1 212-000-T	1000-000	1.000	0.970	\$299.75	
CF1000x275-150-0-T1 275-000-T	1000-000	1.500	0.970	\$299.75	
CF1000x338-200-0-T1 338-000-T	1000-000	2.000	0.970	\$324.75	
CF1000x450-250-0-T1450-000-T	1000-000	2.500	0.970	\$324.75	
CF1000x462-300-0-T1462-000-T	1000-000	3.000	0.970	\$324.75	
CF1000x600-400-0-T1 600-000-T	1000-000	4.000	0.970	\$359.75	
CF1000x675-500-0-T1 675-000-T	1000-000	5.000	0.970	\$359.75	
CF1000x800-600-0-T1 800-000-T	1000-000	6.000	0.970	\$359.75	
CF1325x133-075-0-T1133-000-T	1325-000	0.620	1.120	\$539.00	
CF1325x212-100-0-T1 212-000-T	1325-000	1.000	1.120	\$539.00	
CF1325x275-150-0-T1 275-000-T	1325-000	1.500	1.120	\$539.00	
CF1325x338-200-0-T1 338-000-T	1325-000	2.000	1.120	\$564.00	
CF1325x450-250-0-T1450-000-T	1325-000	2.500	1.120	\$564.00	
CF1325x462-300-0-T1 462-000-T	1325-000	3.000	1.120	\$564.00	
CF1325x600-400-0-T1 600-000-T	1325-000	4.000	1.120	\$594.00	
CF1325x675-500-0-T1 675-000-T	1325-000	5.000	1.120	\$594.00	
CF1325x800-600-0-T1 800-000-T	1325-000	6.000	1.120	\$594.00	
CF1325x1000-800-0-T11000-000-T	1325-000	8.000	1.120	\$594.00	

CONFLAT
FLANGES

CF FLANGE REDUCER NIPPLES



PART NUMBER	O.D. FLANGE 1	O.D. FLANGE 2	TUBE O.D.	A	PRICE
CF600x275-RN	6.00	2.75	1.50	5.00	\$184.75
CF800x275-RN	8.00	2.75	1.50	5.00	\$314.75
CF800x450-RN	8.00	4.50	2.50	5.00	\$354.75
CF800x600-RN	8.00	6.00	4.00	5.00	\$374.75
CF1000x275-RN	10.00	2.75	1.50	5.00	\$544.75
CF1000x450-RN	10.00	4.50	2.50	5.00	\$584.75
CF1000x600-RN	10.00	6.00	4.00	5.00	\$604.75
CF1000x800-RN	10.00	8.00	6.00	5.00	\$634.75
CF1325x1000-RN	13.25	10.00	8.00	5.00	\$1049.00
CF1400x1200-RN	14.00	12.00	10.00	5.00	\$1449.00



HIGHVAC, Co.

7191 SE 182nd Place, Inglis, Florida 34449

Phone : (352) 447-7033 Fax : (352) 447-1222

Shop online: WWW.HIGHVAC.NET

